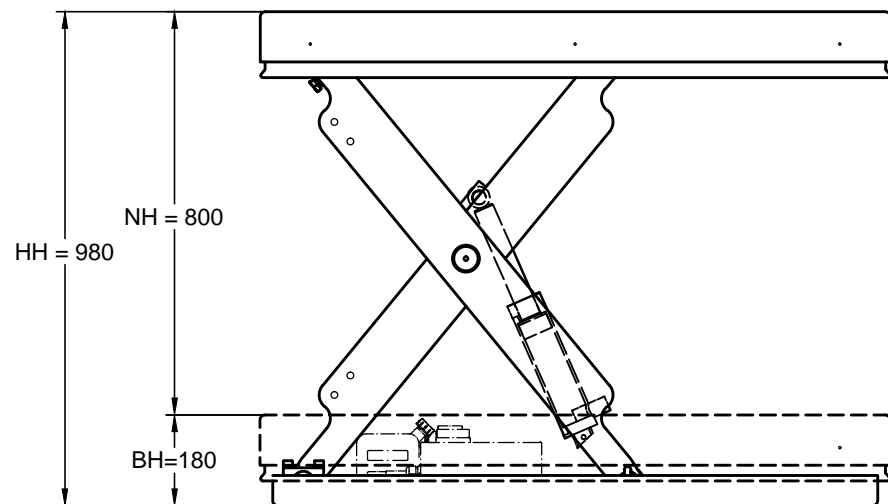


FK 500-80-3

| | |
|--|--|
| Traglast TL (capacity) | 500 kg |
| Nutzhub NH (effective stroke) | 800 mm |
| Hubzeit HZ (time up/down, with nominal load) | ca. 14 s |
| Motorleistung P (power) | ca. 0,8 kW |
| Betriebsspannung/Frequenz U_b/f (operating voltage/frequency) | 400 V / 50 Hz |
| Aggregatposition (position of drive unit) | innen (inboard) <input type="checkbox"/> außen (outboard) <input type="checkbox"/> |
| Farbe (colour) | Hammerschlag silber (hammer finish silver) |

HH: Hubhöhe (max. height)
 NH: Nutzhub (effective stroke)
 BH: Bauhöhe (min. height)



Alle Maße in mm!
 (all dimensions in mm)

Unterrahmen nicht selbsttragend
 (non-self-supporting base frame)

