

Series FE-M

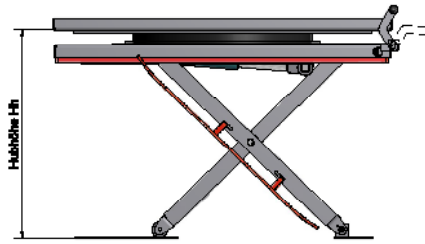
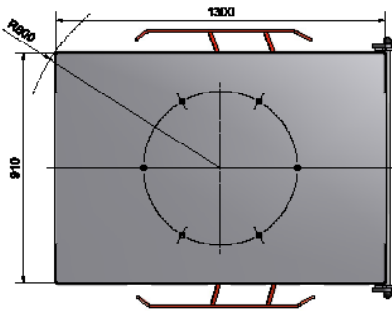
Typ FE		300/75	600/75	900/75	1200/75	1500/75	2000/75
Load	kg	300	600	900	1200	1500	2000
Construction height	mm	70	70	80	80	80/100	80/100
Stroke	mm	750	750	750	750	750	750
Useful stroke	mm	680	680	670	670	650	650
Length of platform	mm	1300	1300	1300	1300	1300	1300
Width of platform	mm	910	910	910	910	910	910
Own weight	kg	220	220	270	270	320	320
Lifting-, lowering time approx.	s	20	20	25	25	25	30
Motor	Voltage	230/400	230/400	230/400	230/400	400	400
Power	kW	0,75/0,55	0,75/0,55	0,75/0,55	0,75/0,55	0,75	1,1

FE-M

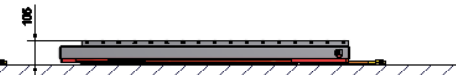
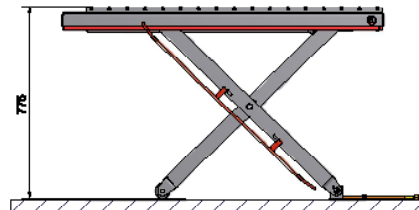
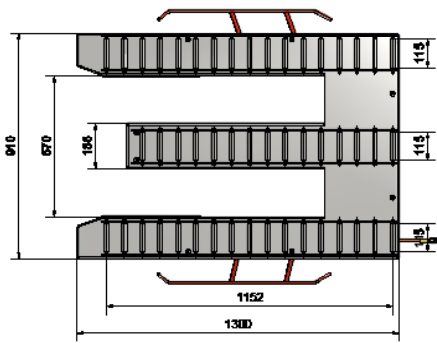
Module



Turntable



Roller Bed Attachment



Box Tilting Device

